



## Data Specs

## DS316 Push Button Switch – Momentary

This is Push-On momentary push-button switch, Single Pole Single Throw (SPST). Design to control the movement of a mechanical part. Typically utilized in industrial control applications to automatically monitor and indicate whether the travel limits of a particular device have been exceeded. High precision mechanism design offering acute operation and long life.



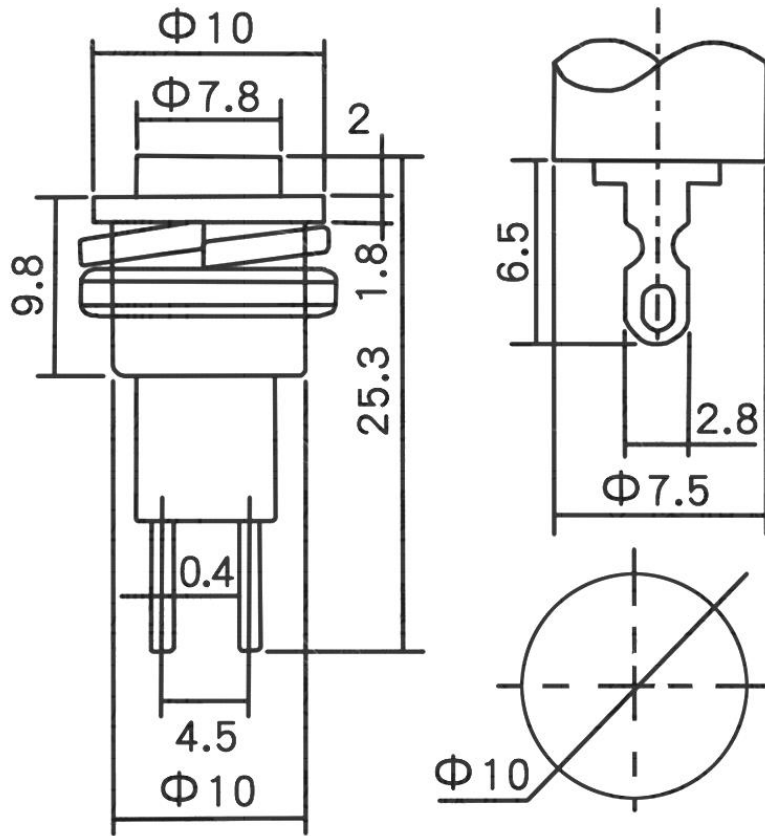
**SKU: SWH1031**

### **Brief Data:**

- Model: DS316.
- Color: Red & Green.
- Switch Type: Self Resetting (Momentary None Locking).
- Operating Voltage: 250V.
- Rated Current: 1-Amp.
- Contact Resistance: 100 mΩ
- Thread Diameter: Ø10mm.
- Pin Number: 2.

**Mechanical Dimension:**

**Unit: mm**





# Handsontec.com

**We have the parts for your ideas**

---

HandsOn Technology provides a multimedia and interactive platform for everyone interested in electronics. From beginner to diehard, from student to lecturer. Information, education, inspiration and entertainment. Analog and digital, practical and theoretical; software and hardware.



open source  
hardware

HandsOn Technology support Open Source Hardware (OSHW) Development Platform.

*Learn : Design : Share*

*handsontec.com*



## The Face behind our product quality...

In a world of constant change and continuous technological development, a new or replacement product is never far away – and they all need to be tested.

Many vendors simply import and sell without checks and this cannot be the ultimate interests of anyone, particularly the customer. Every part sold on Handsontec is fully tested. So when buying from Handsontec products range, you can be confident you're getting outstanding quality and value.

We keep adding the new parts so that you can get rolling on your next project.



[www.handsontec.com](http://www.handsontec.com)

[Breakout Boards & Modules](#)



[Connectors](#)



[www.handsontec.com](http://www.handsontec.com)

[Electro-Mechanical Parts](#)



[www.handsontec.com](http://www.handsontec.com)

[Engineering Material](#)



[www.handsontec.com](http://www.handsontec.com)

[Mechanical Hardware](#)



[Electronics Components](#)

P



[www.handsontec.com](http://www.handsontec.com)

[Power Supply](#)



[Arduino Board & Shield](#)

[Tools & Accessory](#)



[www.handsontec.com](http://www.handsontec.com)

[Tools & Accessory](#)