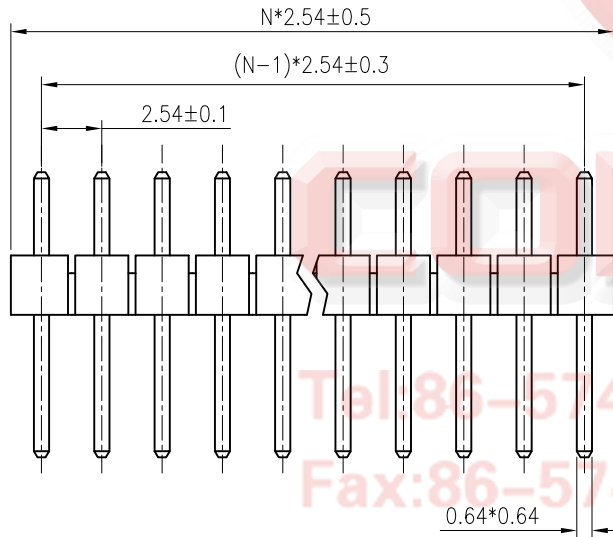


REV.	DESCRIPTION	DRAWN	CHECKED	APPROVED
A	NEW RELEASE	LL 07/03/06'	~	LJC 04/04/06'
F	ADD DIM	LL 11/16/06'	~	LJC 11/05/06'
H	ADD DIM	LL 11/29/06'	~	LJC 11/29/06'
J	ADD DIM	YCH 09/12/07'	~	LJC 09/24/07'
K	ADD DIM	YCH 09/12/07'	~	LJC 01/27/10'
L	ADD DIM	DGQ 03/18/11'	~	LJC 01/27/10'
N	ADD DIM	JLZ 10/06/14'	~	

SINGLE ROW
 N:NUMBER OF CONTACTS
 A/B:CUSTOMER LENGTH AVAILABLE



NOTES:

1. ELECTRICAL CHARACTERISTICS:

- 1.1 CONTACT RESISTANCE: 20mΩ Max.
- 1.2 DIELECTRIC WITHSTANDING VOLTAGE: 500V AC(rms) FOR 1 MINUTE.
- 1.3 INSULATION RESISTANCE: 1000MΩ Min.

2. ENVIRONMENT CHARACTERISTICS:

- 2.1 TEMPERATURE: -40°C~+105°C.

3. PRODUCT NUMBER CODE:

DS1021- X X X X - X

PLATING LEVEL(FOR GOLD ONLY)
 3A: LEVEL 3A B: LEVEL B
 N: LEVEL N

TABLE A & DIM. TYPE

- 1: TYPE 1
- 2: TYPE 2
- 3: TYPE 3
- 4: TYPE 4
- 5: TYPE 5
- 6: TYPE 6
- 7: TYPE 7
- 8: TYPE 8
- 9: TYPE 9

CONTACT PLATING
 F1: FULL GOLD FLASH
 6: FULL TIN

MOUNTING TYPE
 S: STRAIGHT TYPE

No. OF CONTACTS
 1*1~1*40

Tel:86-574-63508787
 Fax:86-574-63515317
 E-mail:sale@connfly.com
 http://www.connfly.com
 Add:East Industry Zone KuangYan
 Town Cixi Ningbo China
 P.C:315333

GENERAL TOLERANCE		ANGLE TOLERANCE		PROJECTION		TITLE	2.54mm PIN HEADER V/T TYPE
X.	±0.60	X.	±5'	UNITS	mm	Single ROW	
.X	±0.38	.X	±3'	SHEET SIZE	A4	SERIES	DS1021 SERIES
.XX	±0.25	.XX	±2'	晨翔电子有限公司 CONNFLY ELECTRONIC CO., LTD			
DRAWING TYPE		CUSTOMER					
SCALE		SHEET 1 OF 2					
DRAWING NO.		C-DS1021-1*XXXX-X					

REV.	DESCRIPTION	DRAWN	CHECKED	APPROVED
A	NEW RELEASE	LL 07/03/06'	~	LJC 04/04/06'
F	ADD DIM	LL 11/05/06'	~	LJC 11/05/06'
H	ADD DIM	LL 11/16/06'	~	LJC 11/16/06'
J	ADD DIM	YCH 09/12/07'	~	LJC 09/12/07'
K	ADD DIM	LBG 01/27/10'	~	LJC 01/27/10'
M	ADD P/N CODE	LJC 12/08/13'		

NOTES:

- ELECTRICAL CHARACTERISTICS:
 - CONTACT RESISTANCE: 20mΩ Max.
 - DIELECTRIC WITHSTANDING VOLTAGE: 500V AC(rms) FOR 1 MINUTE.
 - INSULATION RESISTANCE: 1000MΩ Min.

- ENVIRONMENT CHARACTERISTICS:
 - TEMPERATURE: -40°C~+105°C.

3. PRODUCT NUMBER CODE:

DS1021- X X X X - X

PLATING LEVEL(FOR GOLD ONLY)
 3A: LEVEL 3A B: LEVEL B
 N: LEVEL N

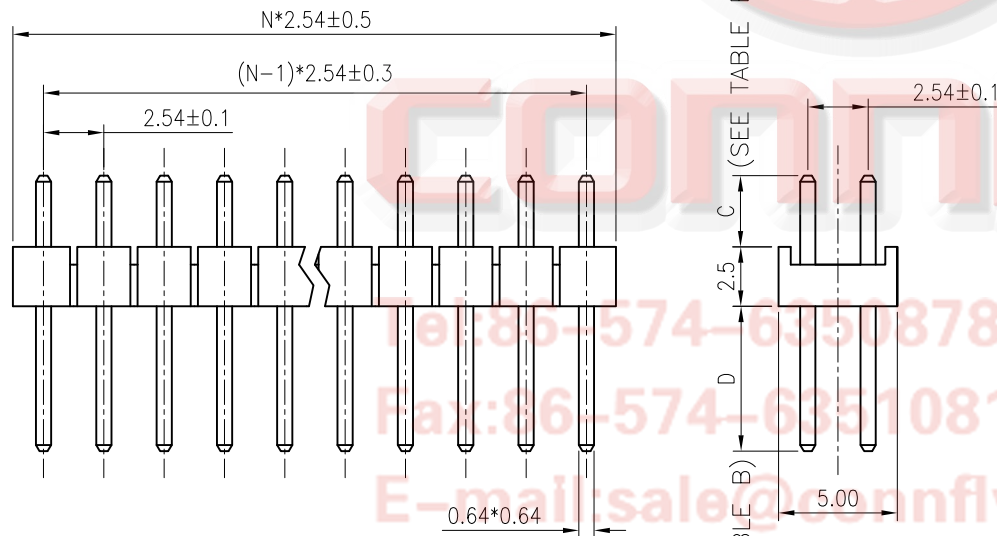
TABLE A & DIM. TYPE

- 1: TYPE 1
- 2: TYPE 2
- 3: TYPE 3
- 4: TYPE 4
- 5: TYPE 5
- 6: TYPE 6
- 7: TYPE 7
- 8: TYPE 8
- 9: TYPE 9

CONTACT PLATING
 F1: FULL GOLD FLASH
 6: FULL TIN

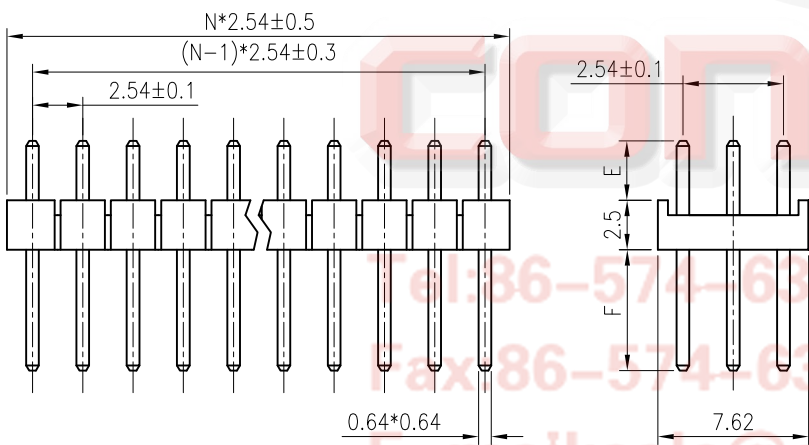
MOUNTING TYPE
 S: STRAIGHT TYPE
 No. OF CONTACTS
 2*1~2*40

DUAL ROWS
 N:NUMBER OF CONTACTS/2
 C/D:CUSTOMER LENGTH AVAILABLE



TEL:86-574-63508787
 Fax:86-574-63510817
 E-mail:sale@connfly.com
 http://www.connfly.com
 Add:East Industry Zone KuangYan
 Town Cixi Ningbo China
 P.C:315333

GENERAL TOLERANCE		ANGLE TOLERANCE		PROJECTION		TITLE	2.54mm PIN HEADER V/T TYPE
X.	±0.60	X.	±5'	UNITS	mm	2 ROWS	
.X	±0.38	.X	±3'	SHEET SIZE	A4	SERIES	DS1021 SERIES
.XX	±0.25	.XX	±2'	晨翔电子有限公司 CONNFLY CONNFLY ELECTRONIC CO., LTD			
DRAWING TYPE		CUSTOMER					
SCALE		SHEET 1 OF 2					
DRAWING NO.		C-DS1021-2*XXXX-X					



THREE ROWS
 N:NUMBER OF CONTACTS/3
 E/F:CUSTOMER LENGTH AVAILABLE

TABLE B:

TYPE	Dimension	
	E	F
1	3.00	6.10
2	7.15	7.15
3		
4		
5		
6		
7		
8		
9		
10		
11		
12		
13		
14		
15		
16		
17		
18		
19		
20		
21		
22		
23		
24		
25		
26		
27		
28		
29		

REV.	DESCRIPTION	DRAWN	CHECKED	APPROVED
A	NEW RELEASE	YCH 07/27/10'	~	

NOTES:

- ELECTRICAL CHARACTERISTICS:
 - CONTACT RESISTANCE: 20mΩ Max.
 - DIELECTRIC WITHSTANDING VOLTAGE: 500V AC(rms) FOR 1 MINUTE.
 - INSULATION RESISTANCE: 1000MΩ Min.
- ENVIRONMENT CHARACTERISTICS:
 - TEMPERATURE: -40°C~+105°C.
- PRODUCT NUMBER CODE:

DS1021- X X X X - X

PLATING LEVEL(FOR GOLD ONLY)
 3A: LEVEL 3A B: LEVEL B
 N: LEVEL N

TABLE A & DIM. TYPE
 1: TYPE 1
 2: TYPE 2

CONTACT PLATING
 F1: FULL GOLD FLASH
 6: FULL TIN

MOUNTING TYPE
 S: STRAIGHT TYPE

No. OF CONTACTS
 3*1~3*40

Tel: 86-574-63506787
 Fax: 86-574-63513817
 E-mail: sale@connfly.com
 http://www.connfly.com
 Add: East Industry Zone Kuang Yan
 Town Cixi Ningbo China
 P.C: 315333

GENERAL TOLERANCE		ANGLE TOLERANCE		PROJECTION		TITLE	2.54mm PIN HEADER V/T TYPE	
X.	±0.60	X.	±5'	UNITS	mm	3 ROWS		
.X	±0.38	.X	±3'	SHEET SIZE	A4	SERIES	DS1021 SERIES	
.XX	±0.25	.XX	±2'	晨翔电子有限公司 CONNFLY CONNFLY ELECTRONIC CO., LTD				
DRAWING TYPE		CUSTOMER						
SCALE		1:1	SHEET 1 OF 1					
DRAWING NO.		C-DS1021-3*XXXX-X						